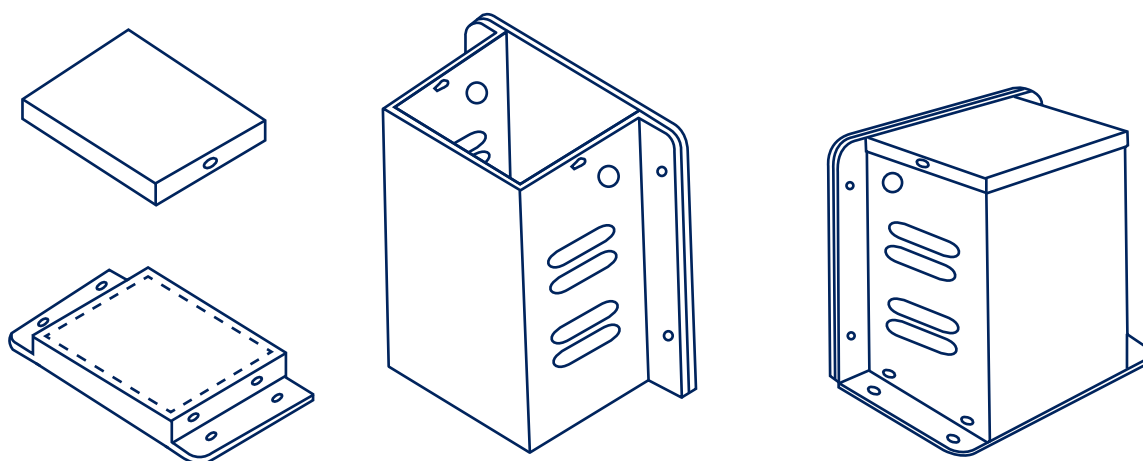


PENNINE CASES



INDUSTRIAL FLOOR/WALL MOUNTING CASES PENNINE RANGE

| Type | H | H1 | L | L1 | W | LVRS | WEIGHT (KG)  |
|------|-------|-------|-------|-------|-------|------|---|
| P00 | 127mm | 109mm | 197mm | 127mm | 114mm | 2 | 1 |
| P1 | 194mm | 174mm | 197mm | 127mm | 114mm | 3 | 1.5 |
| P2 | 223mm | 203mm | 220mm | 152mm | 152mm | 3 | 2 |
| P3 | 244mm | 229mm | 270mm | 189mm | 177mm | 2x2 | 3.3 |
| P4 | 270mm | 254mm | 338mm | 254mm | 215mm | 2x2 | 3.5 |
| P5 | 353mm | 331mm | 350mm | 280mm | 242mm | 2x3 | 6.5 |
| P6 | 454mm | 432mm | 384mm | 305mm | 305mm | 2x3 | 9 |
| P7 | 480mm | 460mm | 438mm | 362mm | 334mm | 2x3 | 9.5 |



PENNINE RANGE INDUSTRIAL FLOOR/WALL MOUNTING CASES (PENNINE RANGE)

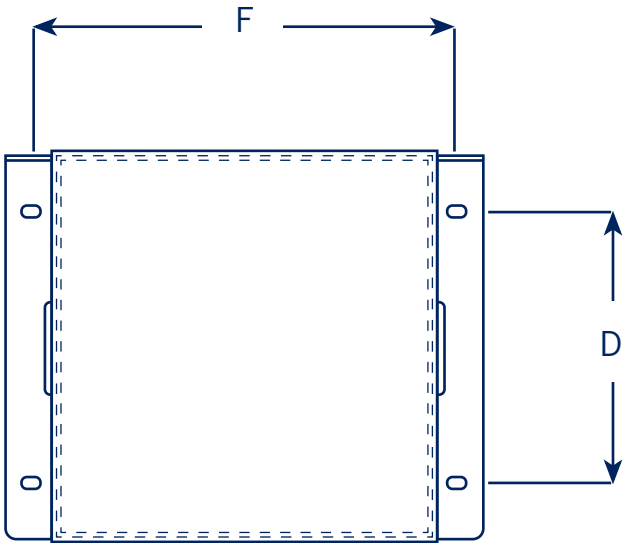
Standard Finish: Hammer grey / IP Rating on standard cases IP23. Available also to IP54.

GAMME PENNINE - BOITIERS POUR USAGE INDUSTRIEL - MONTAGE AU MUR/PAR TERRE

Revêtement standard: Gris métallique / Norme IP23 fournie standard / Norme IP54 sur demande.

PENNINE PROGRAMM INDUSTRIELLE KÄSTEN FÜR WAND - ODER BODENMONTAGE

Standard-Farbtone: Hammergrau / In IP23 Lieferbar / In IP54 lieferbar auf Anfrage.



| Type | D | E | F |
|------|-----|-----|-----|
| P00 | 65 | 74 | 160 |
| P1 | 65 | 126 | 160 |
| P2 | 103 | 152 | 185 |
| P3 | 114 | 152 | 236 |
| P4 | 114 | 152 | 300 |
| P5 | 159 | 229 | 318 |
| P6 | 161 | 254 | 344 |
| P7 | 161 | 254 | 399 |

